

WM1500 HTD, HTD-TE WM2500 HTD, HTD-TE Installation Instruction

1. Location

- Place the wine cellar in a properly ventilated location. Otherwise, heat exhausted by the cooling unit will build up and it will not operate properly.
- The exhaust area must not be closed space and must be ventilated.

1) Rear Exhaust

- Leave min 6" clearance from the rear to the wall.
- Leave min 12" clearance from the top to the ceiling.
- Leave min 6" clearance from the left and right sides.

2) Front Exhaust

- Leave min 6" clearance from the front if left and right sides unobstructed.
- Or, leave min 36" clearance from the front if left and right sides obstructed

3) Top Exhaust

- Leave min 12" from the top to the ceiling.
- Leave min 2" clearance from the rear to the wall.
- Leave min 2" clearance from the left and right sides.

4) Side Exhaust

- Leave min 6" clearance from the left or right side to the wall.
- Leave min 12" clearance from the top to the ceiling.

2. Installation

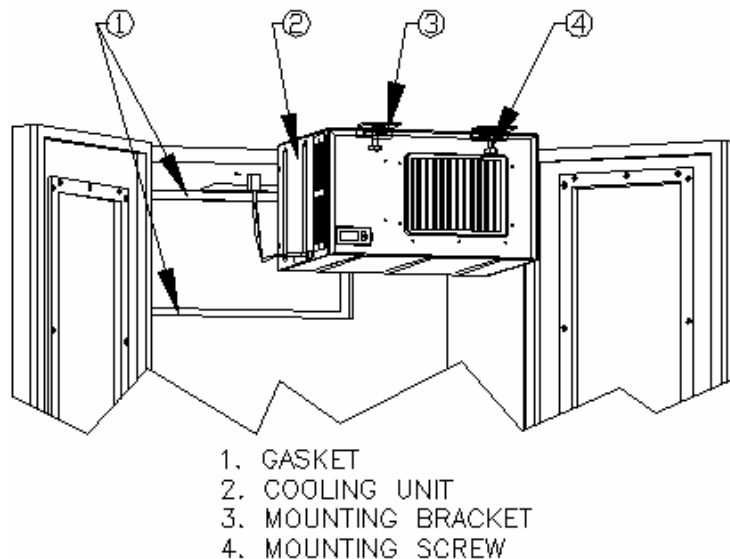


Fig. 2.1 COOLING UNIT MOUNTING

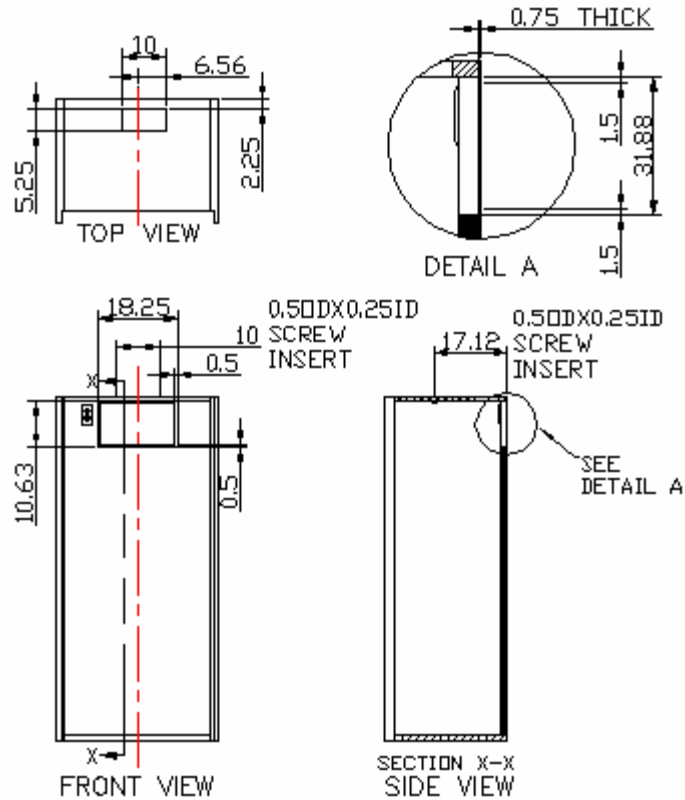


Fig. 2.2 MOUNTING OPENINGS

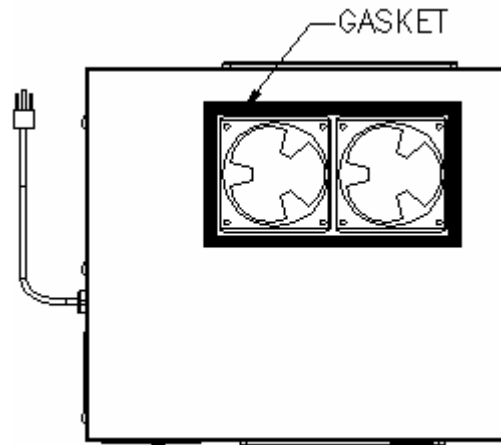


Fig. 2.3 TOP EXHAUST GASKET

- Cut a rectangular opening with the ¼" clearance inwards to the width and height of the cooling unit, the opening is positioned from the top and center of the cabinet (see Fig. 2.2).

- If top exhaust, cut a rectangular opening at the top of the cabinet to the length and width of the top exhaust openings (see Fig. 2.2).
- Mount the gaskets on the four rear mounting sides.
- If top exhaust, place the gaskets along the top openings at the top of the cooling unit. (See Fig. 2.3)
- Place the cooling unit to a flat and stable place.
- Then move it on the top of the rack temporarily.
- Move the cooling unit towards the mounting sides and push to press the gasket.
- Locate the 2 brackets (6) and use 7/16" wrench to tighten the 2 screws (7).
- If top exhaust, install the top exhaust grille at the top of the cabinet with the arrow towards the front and facing down the cabinet.
- Plug the cooling unit in receptacle.
- Screw the 2 screws (4) and locate the light on the ceiling.
- Plug the light in receptacle.
- Plug the wine cellar.

3. Electrical Cord

- Because of potential safety hazards under a certain condition, we strongly recommend against the use of an extension cord. However, if you still elect to use an extension cord, it is absolutely necessary that it will be a UL LISTED 3-wire grounding type appliance extension cord having a 3-blade grounding plug and a 3-slot receptacle that will plug into the appliance. The marked rating of the extension cord should be 115 V, 15 A.